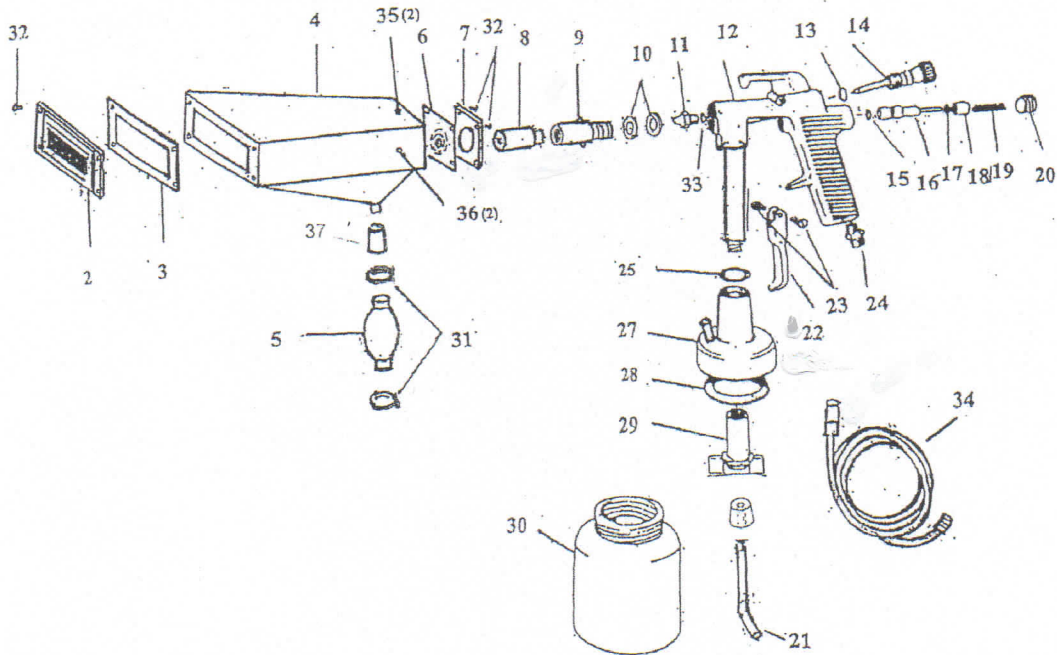


# MARVEL GRIT ETCHING MACHINE - MODEL 5152



TO REMOVE AIR JET (#11) A 7/16" Hex Hollow Shaft Nut Driver is required. (Available at all hardware stores)

REF NO.	DESCRIPTION	PART NO.
	MODEL 5152	
2	STENCIL PLATE	various
3	FOAM GASKET	1359
4	HOUSING	4189
5	AIR BAG	3215
6	GASKET	1060
7	STEEL PLATE	1097
8	NOZZLE	1415
9	VENTURE CHAMBER	1486
10	LOCKING RING (2)	1381
11	AIR JET	2380
12	GUN FRAME	2258
13	"O" RING	2392
14	MATERIAL CONTROL	3846
15	"O" RING	2396
16	SPOOL	2410
17	SPACER	2828
18	AIR VALVE	3001

REF NO.	DESCRIPTION	PART NO.
19	SPRING	3112
20	AIR VALVE PLUG	3061
21	PICKUP PIPE	4510
22	TRIGGER	3092
23	TRIGGER SCREW	3095
24	HOSE CONNECTOR	3100
25	"O" RING	2399
26	URETHANE PLUG	4930
27	CUP COVER	3600
28	CUP COVER GASKET	3607
29	CUP COVER NUT	3681
30	QUART CANISTER	4300
31	CLAMP	2169
32	BOLTS (4)	3199
33	"O" RING	2397
34	8' AIR HOSE	4999
35	ADJUSTING BOLTS (2)	1345
36	ADJUSTING BOLTS (2)	1348
37	RUBBER LINER	3220